

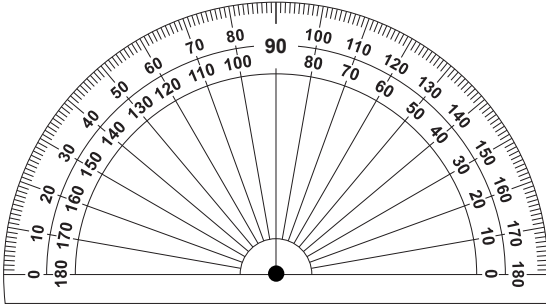
Name \_\_\_\_\_

Date \_\_\_\_\_

# Drawing Angles Using a 180° Protractor - 1

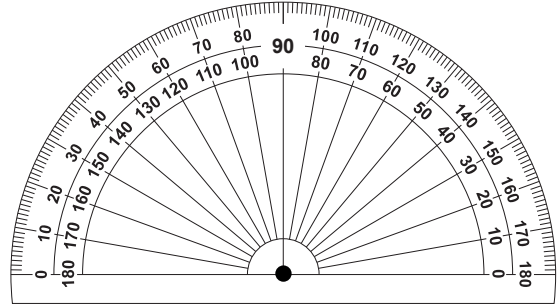
1. Draw the angle on the 180° protractor and then write the name.

a) **50°**



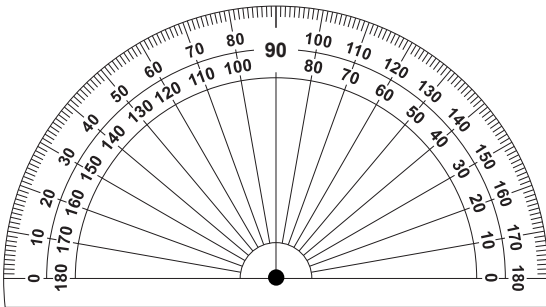
name: \_\_\_\_\_

b) **90°**



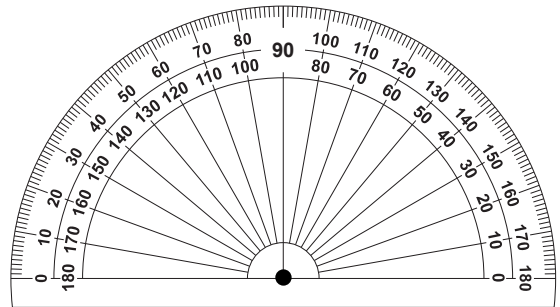
name: \_\_\_\_\_

c) **120°**



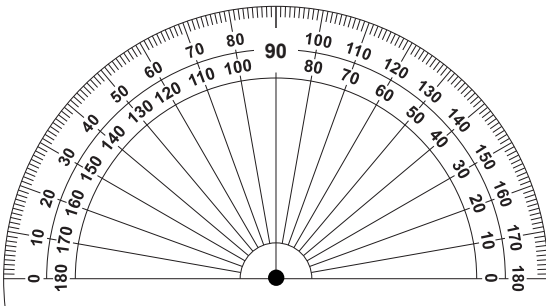
name: \_\_\_\_\_

d) **60°**



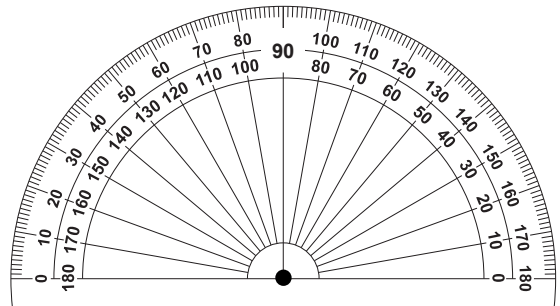
name: \_\_\_\_\_

e) **150°**



name: \_\_\_\_\_

f) **110°**



name: \_\_\_\_\_



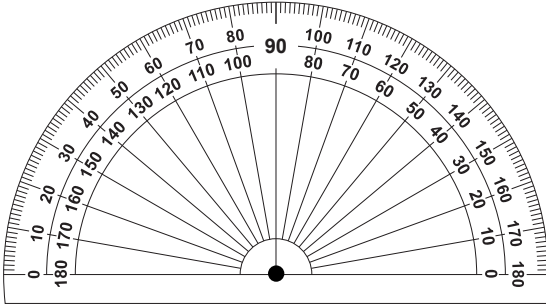
Name \_\_\_\_\_

Date \_\_\_\_\_

# Drawing Angles Using a 180° Protractor - 2

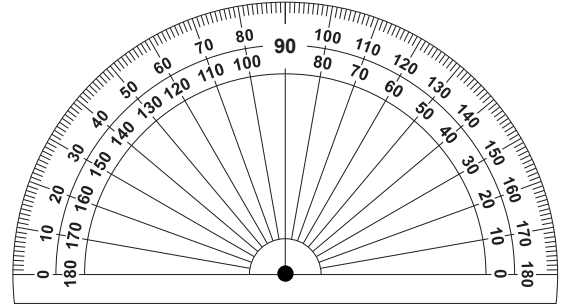
1. Draw the angle on the 180° protractor and then write the name.

a) **115°**



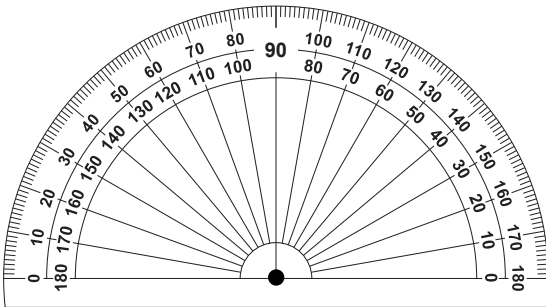
name: \_\_\_\_\_

b) **5°**



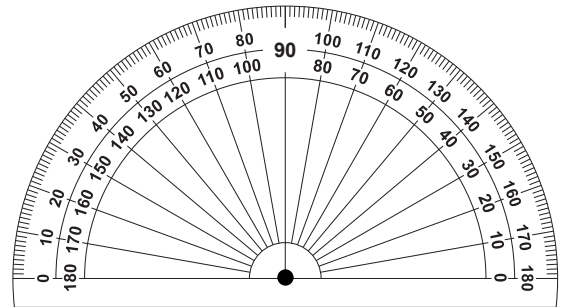
name: \_\_\_\_\_

c) **85°**



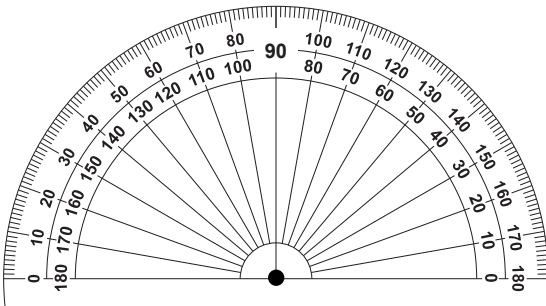
name: \_\_\_\_\_

d) **175°**



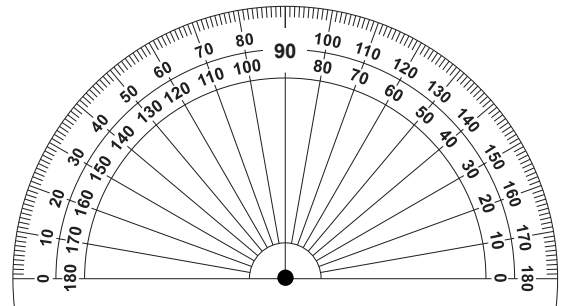
name: \_\_\_\_\_

e) **95°**



name: \_\_\_\_\_

f) **130°**



name: \_\_\_\_\_



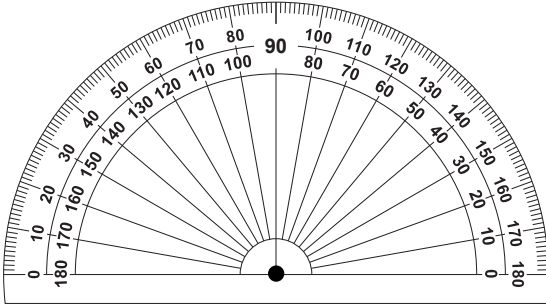
Name \_\_\_\_\_

Date \_\_\_\_\_

# Drawing Angles Using a 180° Protractor - 3

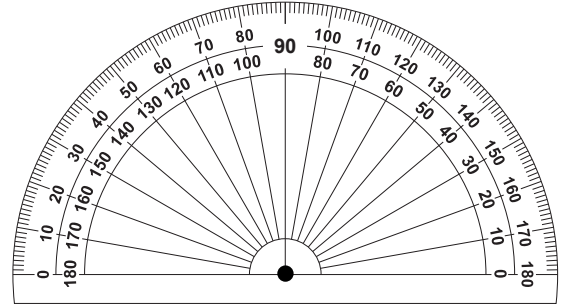
1. Draw the angle on the 180° protractor and then write the name.

a) **72°**



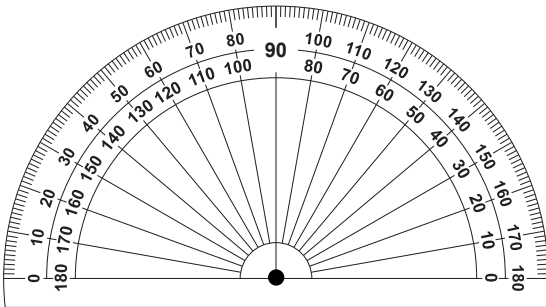
name: \_\_\_\_\_

b) **114°**



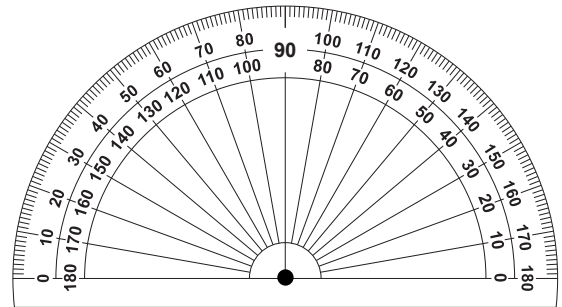
name: \_\_\_\_\_

c) **11°**



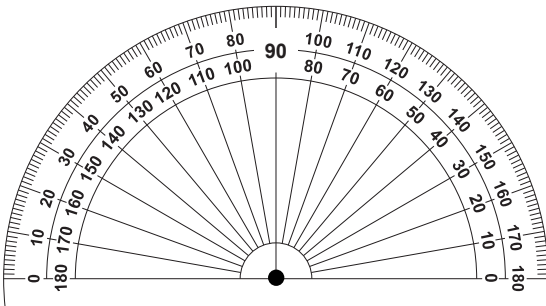
name: \_\_\_\_\_

d) **34°**



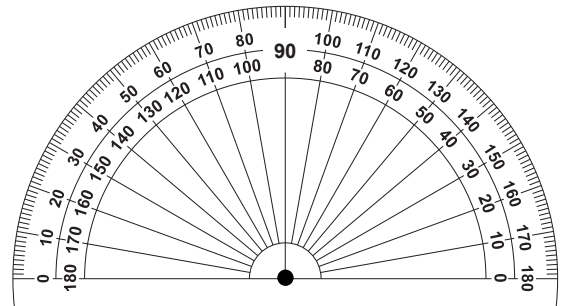
name: \_\_\_\_\_

e) **141°**



name: \_\_\_\_\_

f) **3°**



name: \_\_\_\_\_



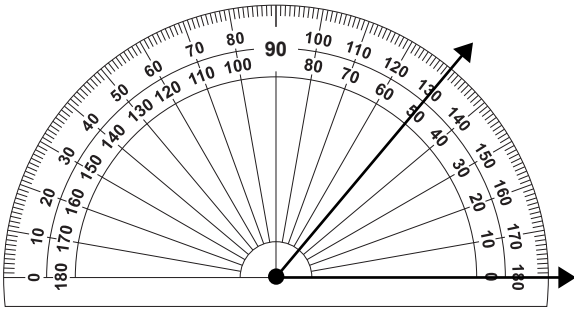
Name \_\_\_\_\_

Date \_\_\_\_\_

# Drawing Angles Using a 180° Protractor - 1 - Answers

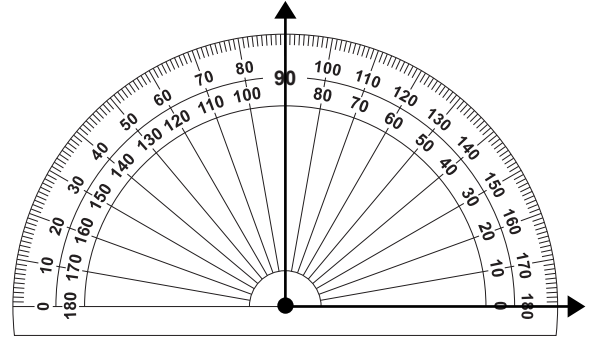
1. Draw the angle on the 180° protractor and then write the name.

a) 50°



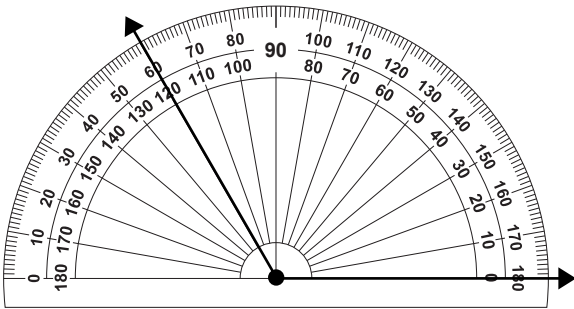
name: acute angle

b) 90°



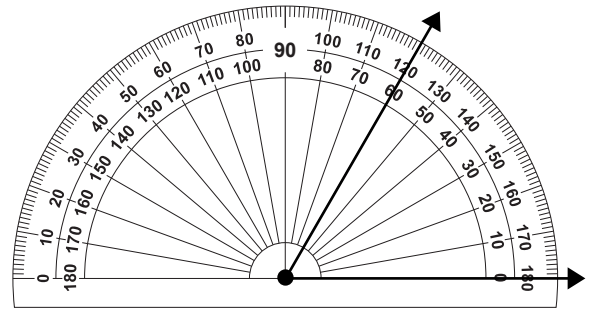
name: right angle

c) 120°



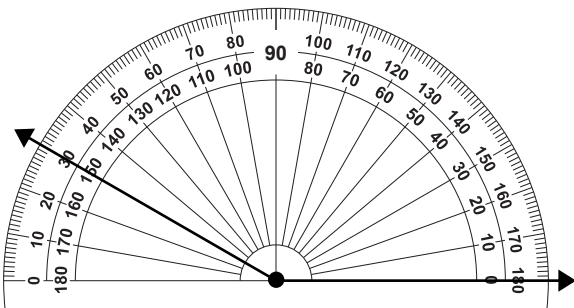
name: obtuse angle

d) 60°



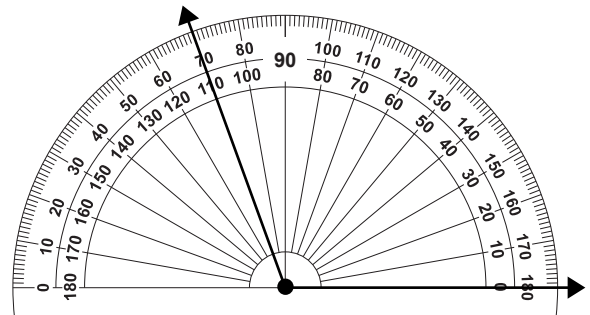
name: acute angle

e) 150°



name: obtuse angle

f) 110°



name: obtuse angle

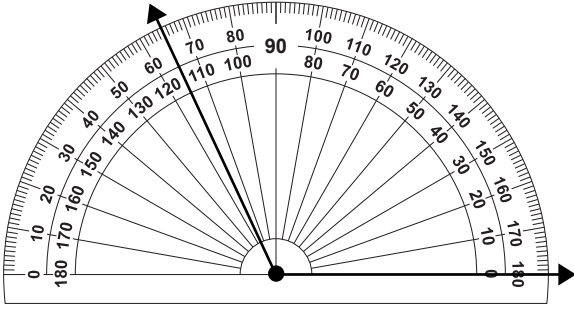
Name \_\_\_\_\_

Date \_\_\_\_\_

## Drawing Angles Using a 180° Protractor - 2 - Answers

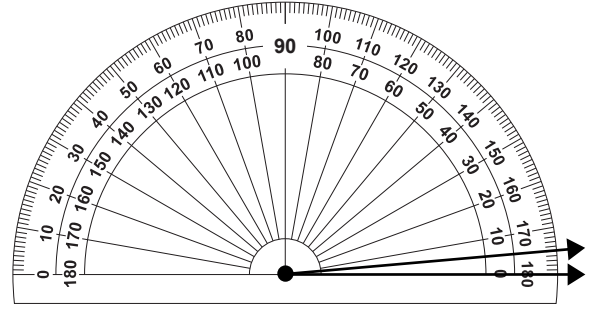
1. Draw the angle on the 180° protractor and then write the name.

a) 115°



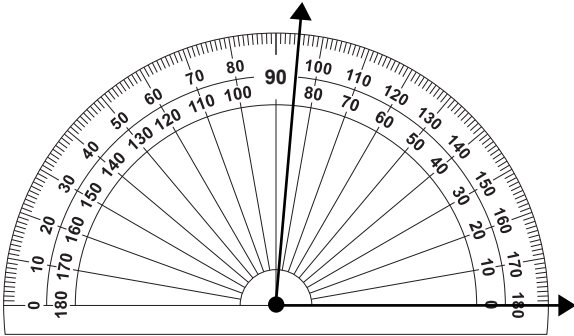
name: obtuse angle

b) 5°



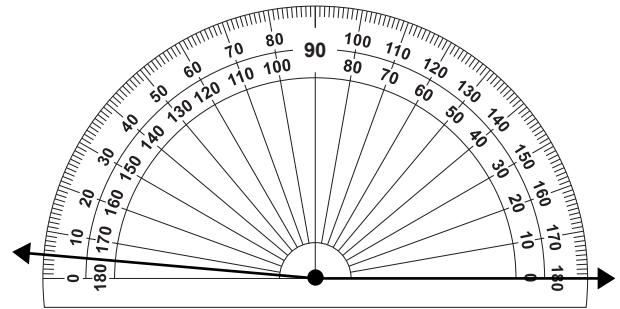
name: acute angle

c) 85°



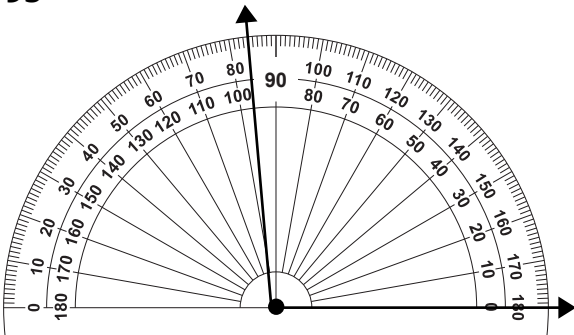
name: acute angle

d) 175°



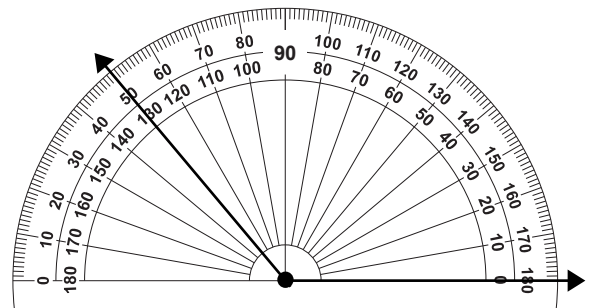
name: obtuse angle

e) 95°



name: obtuse angle

f) 130°



name: obtuse angle

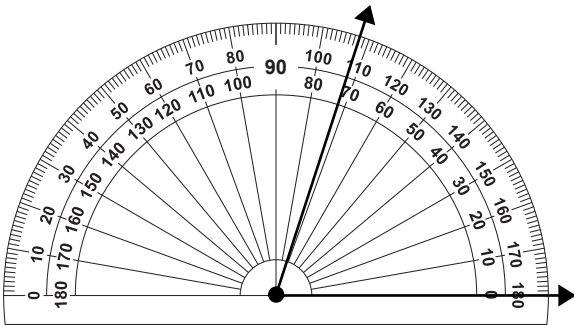
Name \_\_\_\_\_

Date \_\_\_\_\_

## Drawing Angles Using a 180° Protractor - 3 - Answers

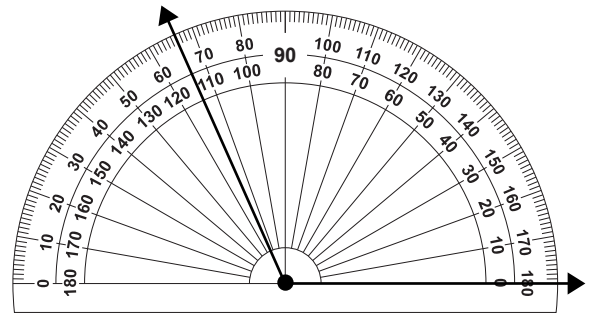
1. Draw the angle on the 180° protractor and then write the name.

a) 72°



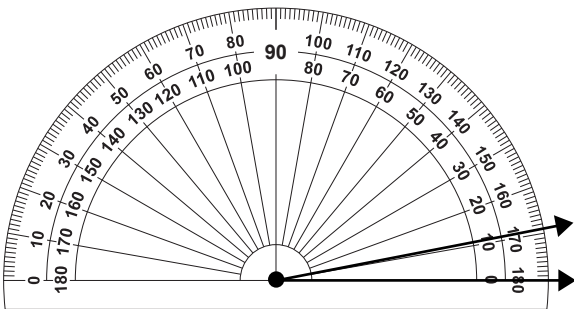
name: acute angle

b) 114°



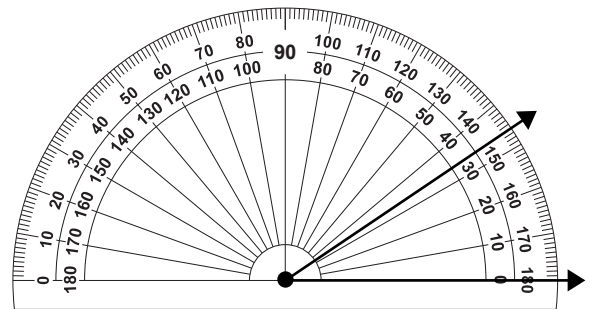
name: obtuse angle

c) 11°



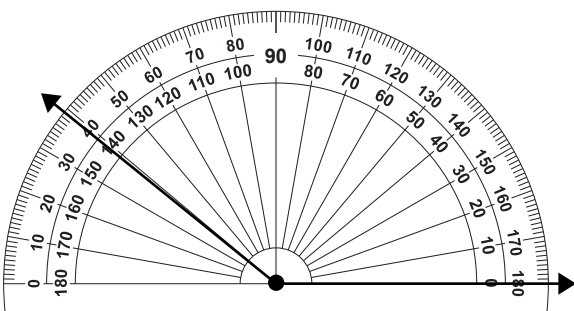
name: acute angle

d) 34°



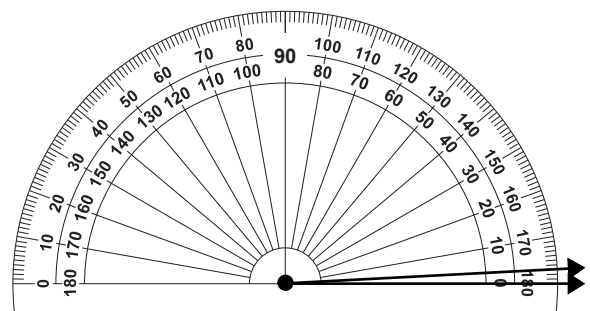
name: acute angle

e) 141°



name: obtuse angle

f) 3°



name: acute angle